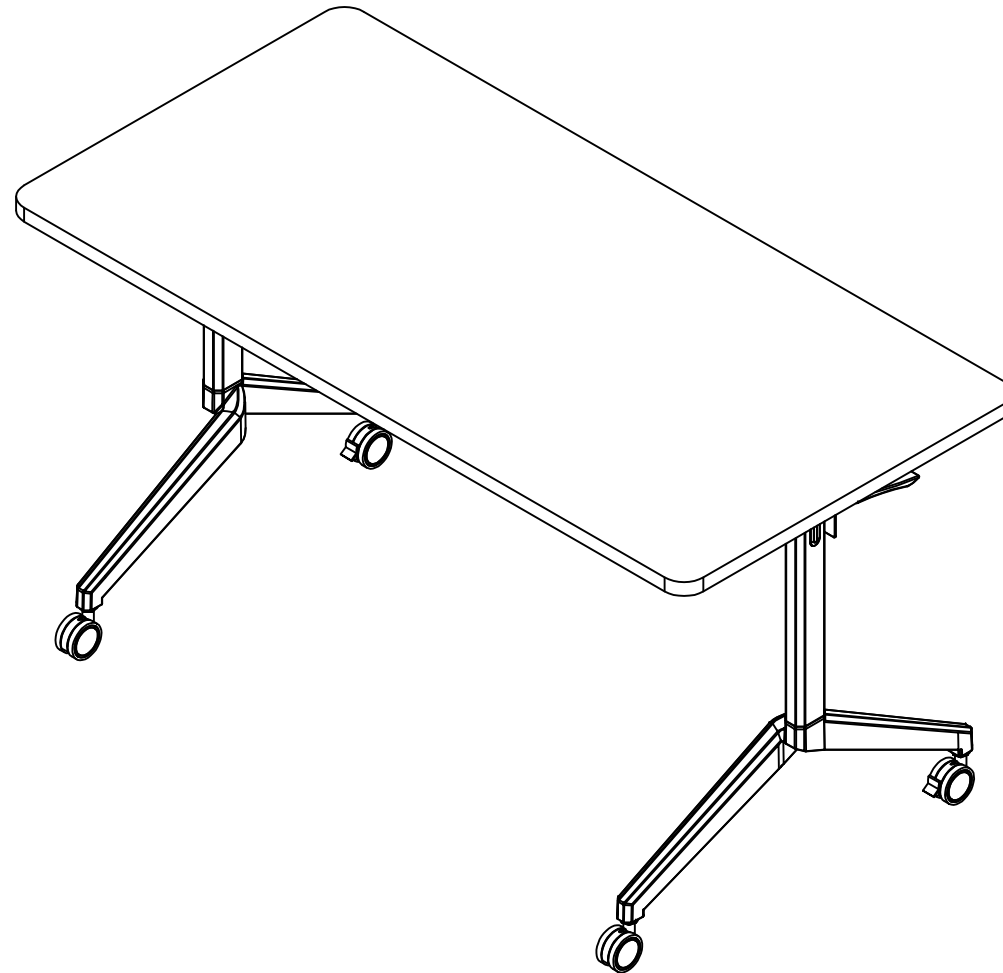
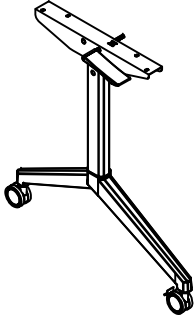
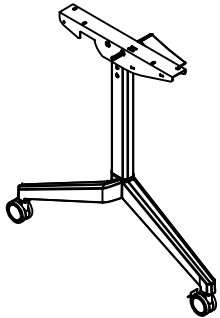
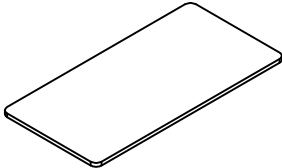
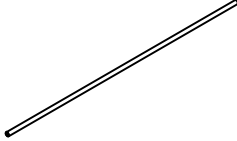
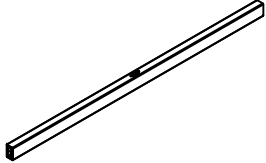




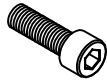


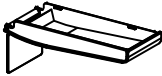
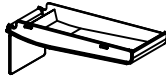



Z-Flip Nesting Table



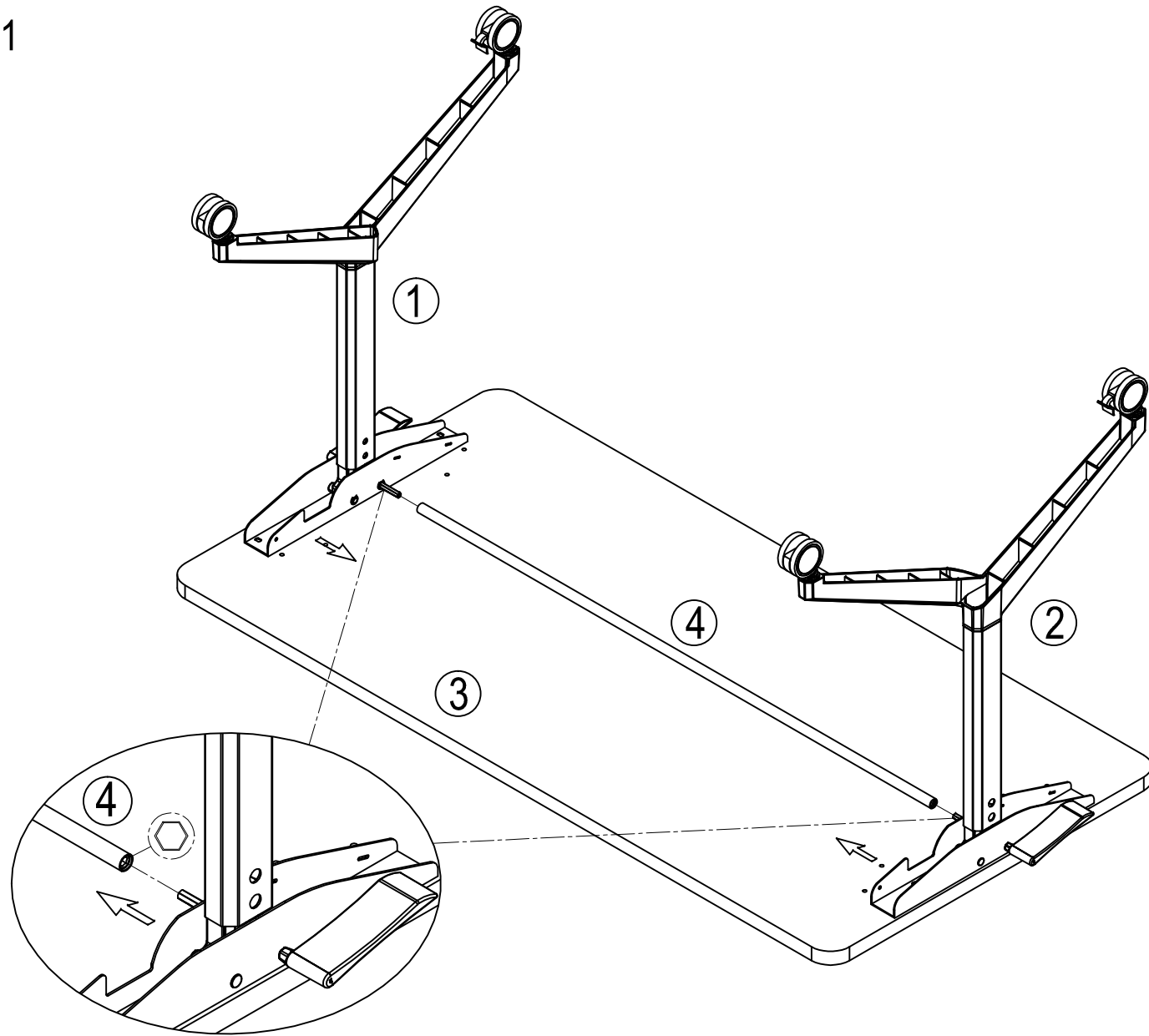
Part list

				
① x1	② x1	③ x1	④ x1	⑤ x1

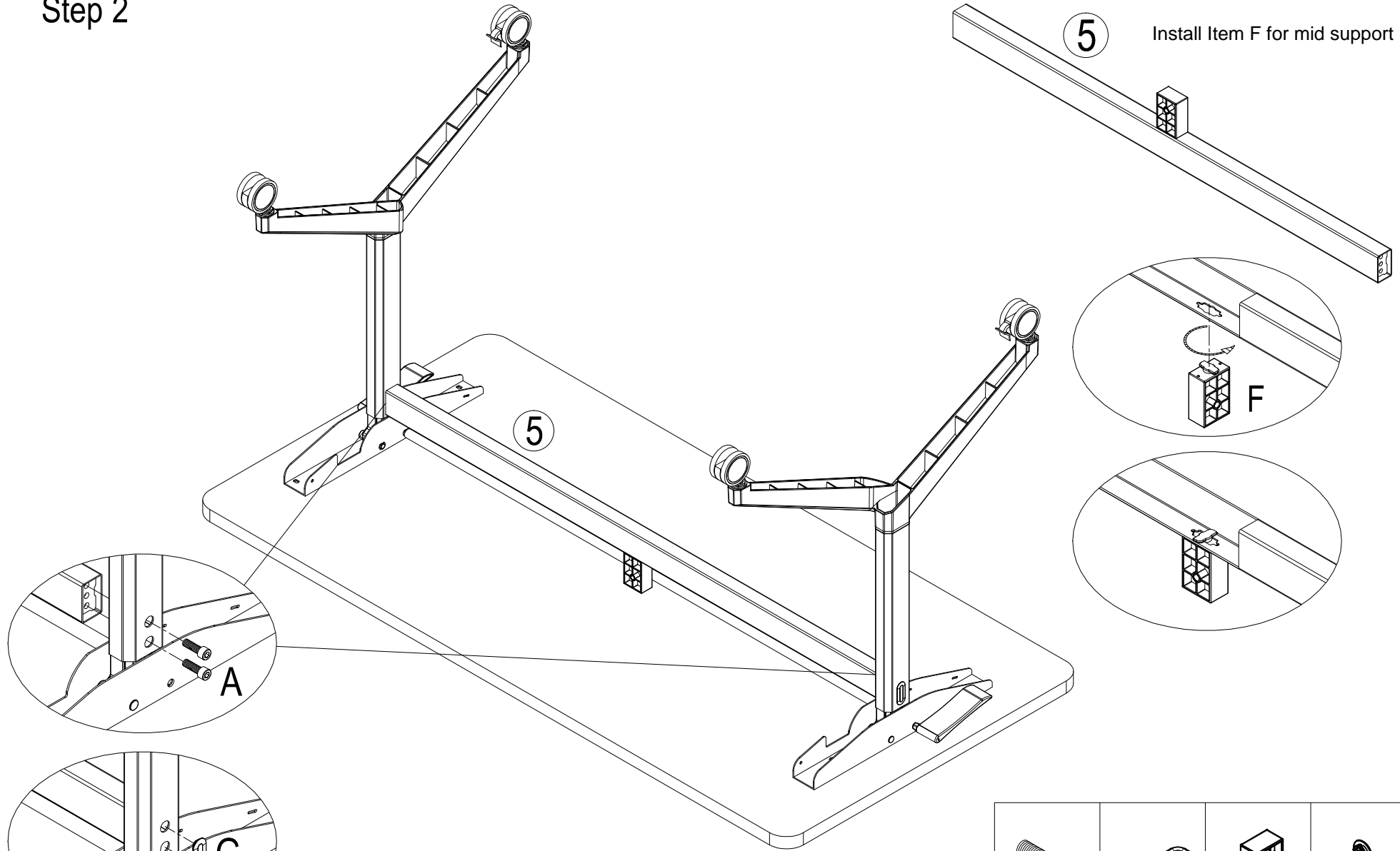
Hardware list

	1" Wood Screws 						
A x4(M8x25)	B x8(ST4.8x20)	C x1 (6mm)	D x1	E x1	F x1	G x2	H x1

Step 1



Step 2



5

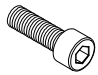

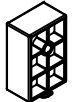

Install Item F for mid support

5

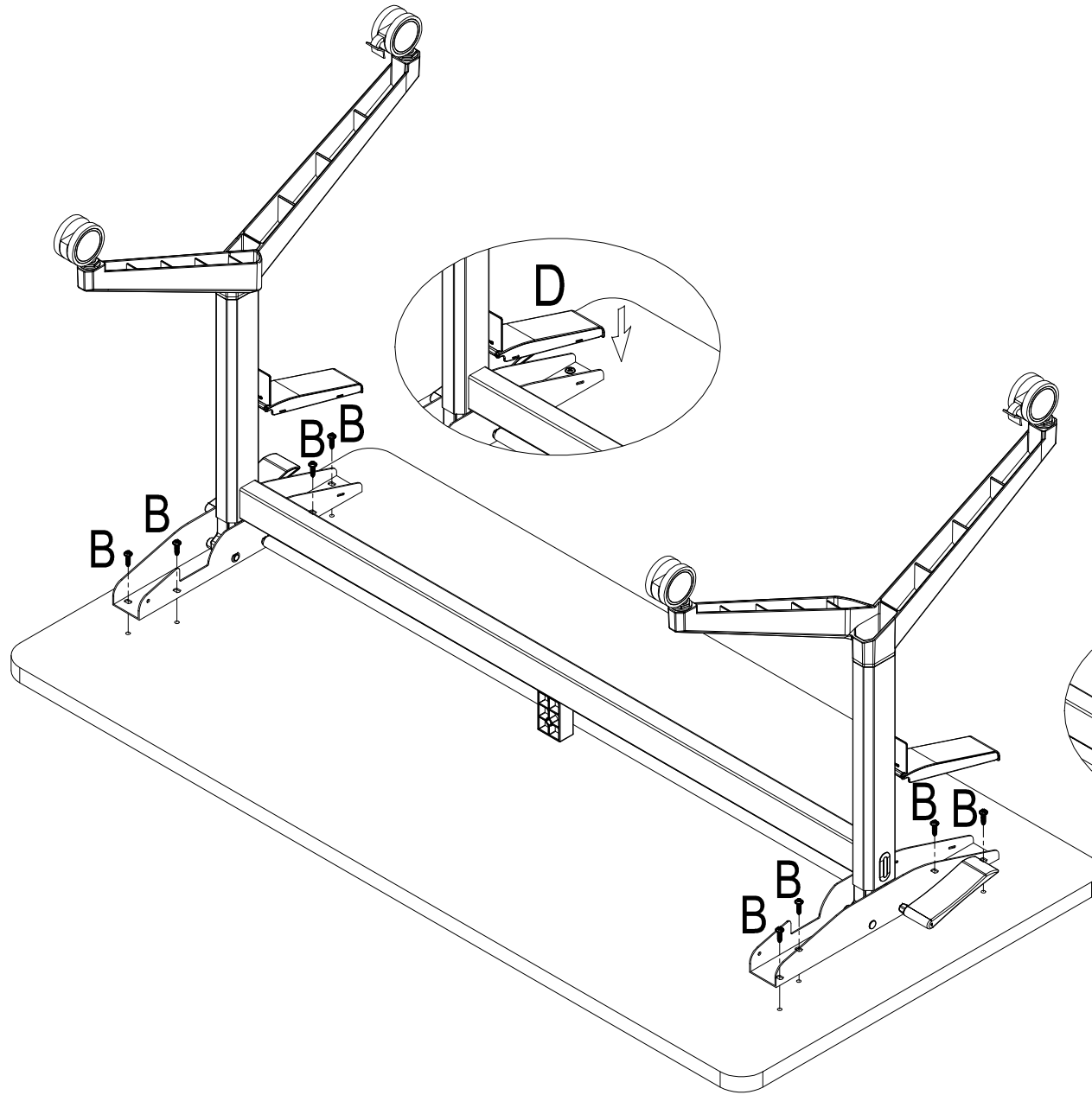
F


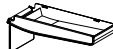
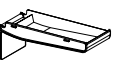
A

G

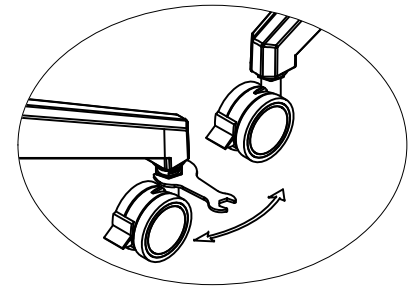
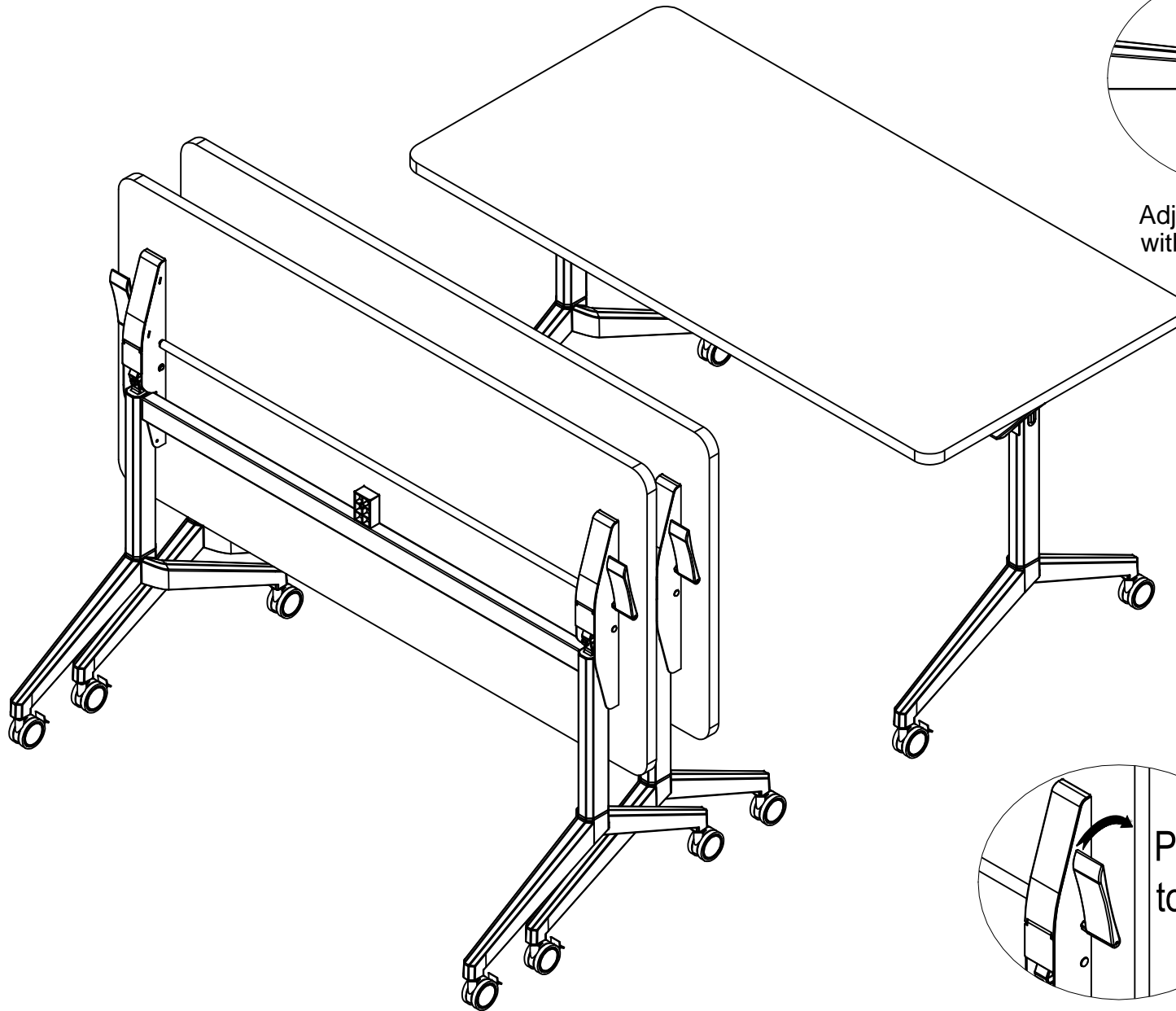
			
A x4	C x1	F x1	G x2

Step 3

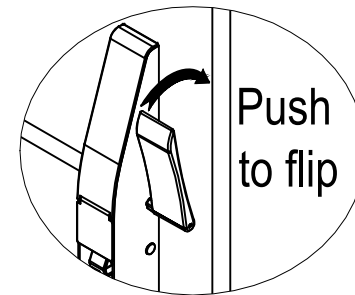


1" Wood Screws		
		
B x 8	D x 1	E x 1

Step 4



Adjust the wheel height with part H.



Push to flip



H x1