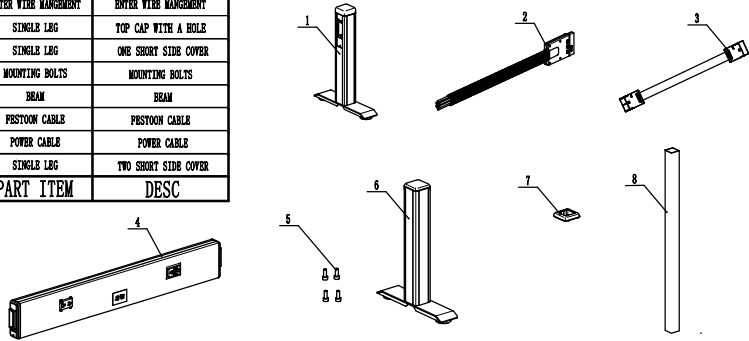
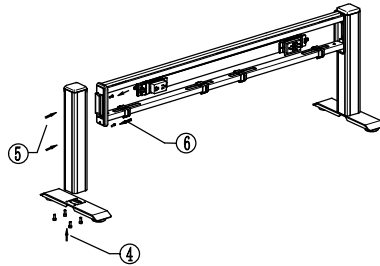


Power Beam Assembly Instructions

9	POWER POLE	POWER POLE
8	ENTER WIRE MANAGEMENT	ENTER WIRE MANAGEMENT
7	SINGLE LEG	TOP CAP WITH A HOLE
6	SINGLE LEG	ONE SHORT SIDE COVER
5	MOUNTING BOLTS	MOUNTING BOLTS
4	BEAM	BEAM
3	FESTOON CABLE	FESTOON CABLE
2	POWER CABLE	POWER CABLE
1	SINGLE LEG	TWO SHORT SIDE COVER
	PART ITEM	DESC

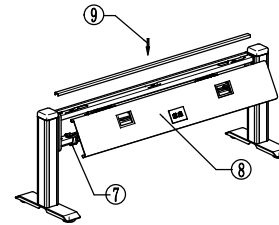


3

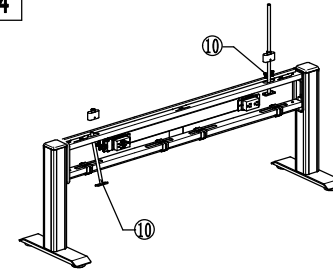


- ④ Assembly the bottom feet and leg together with stainless bolts.
- ⑤ Hook the finished fram to the connectors
- ⑥ Tighten the fram and connectors with stainless bolts

- ⑦ Slide bottom plastic support into the grooved side at the bottom of the panel
- ⑧ Insert the bump on the top of the panel into the groove of the beam, and slide bottom plastic support to secure the metal tile.
- ⑨ Insert the top cover strip

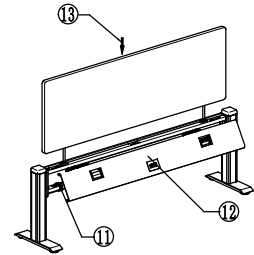


4

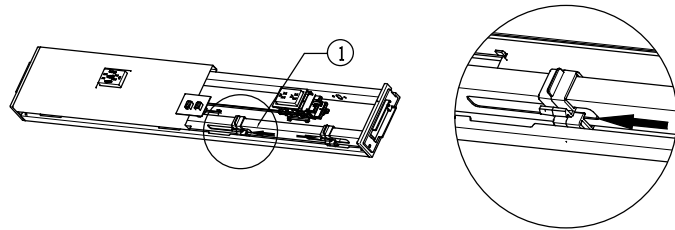


- ⑩ Pass the screen pole through the upper beam hole and secure it with installation screws.

- ⑪ Slide bottom plastic support into the grooved side at the bottom of the panel
- ⑫ Insert the bump on the top of the panel into the groove of the beam, and slide bottom plastic support to secure the metal tile.
- ⑬ Insert the screen into the bottom hole of the screen pole.

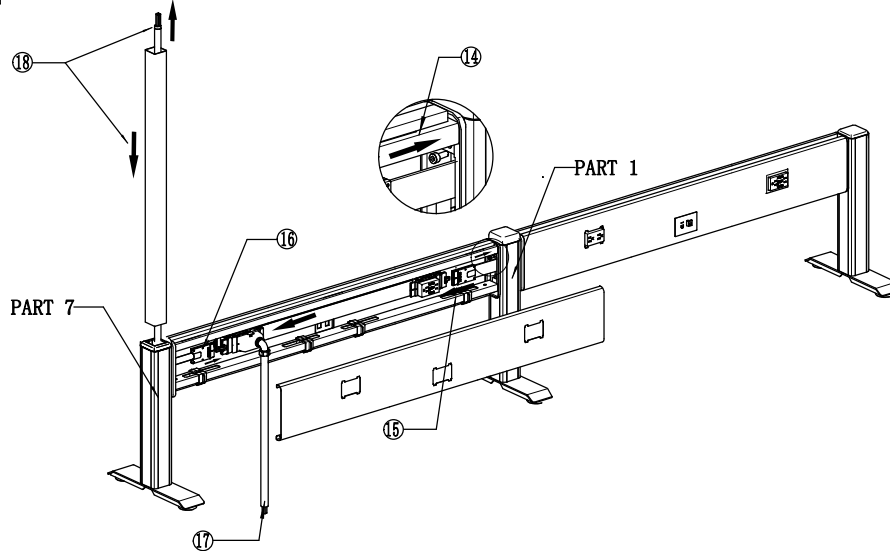


1



- ① Move bottom plastic support aside to make it easier to remove the metal tile

5

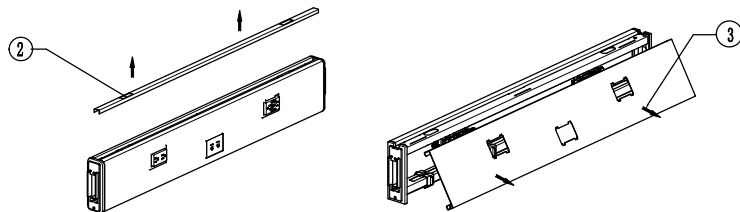


- ⑭ Tighten the fram and connectors with stainless bolts
- ⑮ Insert festoon cable into power hardness
- ⑯ Insert power entry cable into power hardness

- ⑰ Remove the socket and attach the grounding wire. Thread the end of the grounding wire through the side panel hole and cover the side panel.

- ⑱ Insert power pole and Pass the power cord through the power pole
- Two different power connection methods, choose according to your needs

2



- ② Remove the top cover strip
- ③ Remove the metal tile

