

# Monitor Arms

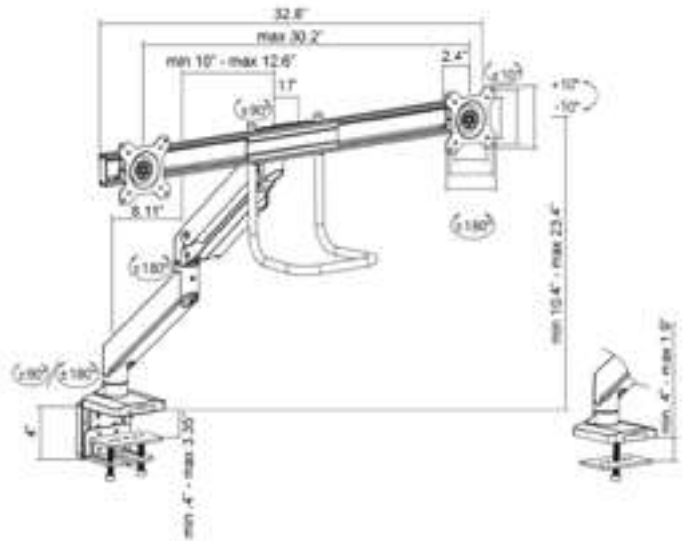


## Echo Slide

### ECHO-Slide

**\$455 LIST**

- Dual Monitor arm
- Counterbalanced gas spring technology
- Bezel to bezel monitor placement
- Dual 17"-32" monitors
- 2.2 to 17.5lbs/ each monitor
- Detachable pull handle
- 20.7" arm reach
- 180° rotation lockout
- Available in:
  - S- Silver
  - B- Black



[View Larger](#)